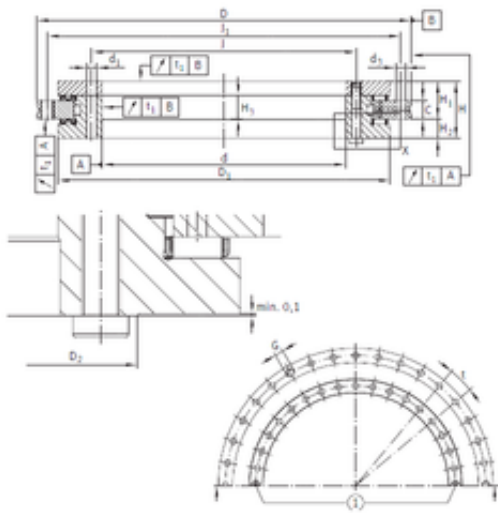




# UN?BEARINGS(UK)LTD.



## INA YRTE460 complex bearings

Bearing No. YRTE460

Bore Diameter	460 mm
Outer Diameter	600 mm
d	460 mm
D	600 mm
D1	560 mm
D2	501 mm
C	22 mm
H	70 mm
H3	27 mm
d1	9,3 mm
d3	9,3 mm
H1	46 mm
H2	24 mm
J	482 mm
Thread (G)	M12
J1	580 mm

YRTE460 Bearing 2D drawings and 3D CAD models